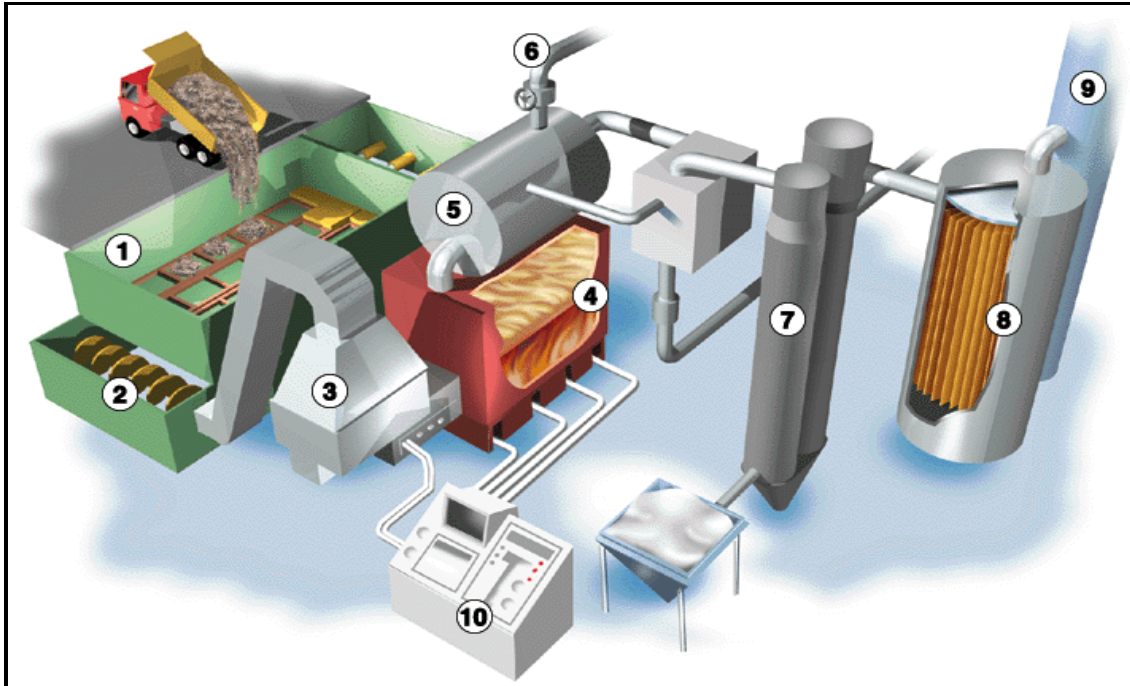


John Wilkie Paper Mill Services Ltd
Registered office: Maryfield St Fillans Perthshire PH6 2NF UK
Telephone 0044 (0)1764 685267 fax 0044 (0)1764 685395
Mobile 0044 (0)7967 726 501
e-mail: wilkiemaryfield @aol.com

ENERGY FROM WASTE PLANT



- | | |
|-------------------------|------------------------------------|
| 1. Silo for solid fuels | 2. Screw conveyer |
| 3. Fuel magazine | 4. Combustion and burnout chambers |
| 5. Boiler | 6. Steam system |
| 7. Reactor | 8. Filtering system |
| 9. Chimney | 10. Regulation/monitoring system |



Waste amount : 33.000 ton/year, 4.400 kg/hour

Steam delivery : 13,5 MW

Steam pressure: 12 bar

John Wilkie Paper Mill Services Ltd
Registered in Scotland: number SC254554

John Wilkie Paper Mill Services Ltd
Registered office: Maryfield St Fillans Perthshire PH6 2NF UK
Telephone 0044 (0)1764 685267 fax 0044 (0)1764 685395
Mobile 0044 (0)7967 726 501
e-mail: wilkiemaryfield @aol.com

Vertical chamber



Test pressure	: 21 bar
Construction pressure	: 14 bar
Working pressure	: 11 bar
Steam temperature	: 198.3 ° C
Incoming temperature from furnace	: 900° C
Transportation weight	: 11 000 kg (without evaporators)
Weight evaporators	: 3 x 3700 kg
Length	: 3750 mm
Width	: 3100 mm
Height	: 8000 mm.

John Wilkie Paper Mill Services Ltd
Registered office: Maryfield St Fillans Perthshire PH6 2NF UK
Telephone 0044 (0)1764 685267 fax 0044 (0)1764 685395
Mobile 0044 (0)7967 726 501
e-mail: wilkiemaryfield @aol.com

Boiler



Test pressure	: 21 bar
Construction pressure	: 14 bar
Working pressure	: 11 bar
Performance	: 6.43 MW
Heating surface	: 1169 m ²
Transportation weight	: 62 000 kg
Volume	: 36.3 m ³
Diameter	: 4350 mm
Height	: 9400 mm.

John Wilkie Paper Mill Services Ltd
Registered office: Maryfield St Fillans Perthshire PH6 2NF UK
Telephone 0044 (0)1764 685267 fax 0044 (0)1764 685395
Mobile 0044 (0)7967 726 501
e-mail: wilkiemaryfield @aol.com

Steam drum



Test pressure	: 21 bar
Construction pressure	: 14 bar
Working pressure	: 11 bar
Steam temperature	: 198.3 ° C
Capacity	: 23.3 t/h
Transportation weight	: 5 000 kg
Total volume	: 13.2 m ³
Length	: 6000 mm
Width	: 2100 mm
Height	: 2750 mm

John Wilkie Paper Mill Services Ltd
Registered office: Maryfield St Fillans Perthshire PH6 2NF UK
Telephone 0044 (0)1764 685267 fax 0044 (0)1764 685395
Mobile 0044 (0)7967 726 501
e-mail: wilkiemaryfield @aol.com

Economiser



Test pressure	: 36 bar
Construction pressure	: 24 bar
Working pressure	: 11 bar
Construction temperature	: 221.8 ° C
Transportation weight	: 22 000 kg
Performance	: 1310 KW
Heating surface	: 524 m ²
Base	: 3850 x 3000 mm
Height	: 7750 mm.

John Wilkie Paper Mill Services Ltd
Registered office: Maryfield St Fillans Perthshire PH6 2NF UK
Telephone 0044 (0)1764 685267 fax 0044 (0)1764 685395
Mobile 0044 (0)7967 726 501
e-mail: wilkiemaryfield@aol.com

Feed Water tank

Test pressure	: 3.0 bar
Construction pressure	: 2.0 bar
Working pressure	: 0.5 bar
Construction temperature	: 120 ° C
Transportation weight	: 4 000 kg
Total volume.	: 20 m ³
Length	: 6600 mm
Width	: 2300 mm
Height	: 4300 mm.

Oil burner

Type	: Weishaupt L9TD
Capacity	: 1500 KW

Steel Chimney

Height	: 42 000 mm
Diameter	: 1 500 mm
Weight	: 16.3 tons



John Wilkie Paper Mill Services Ltd
Registered office: Maryfield St Fillans Perthshire PH6 2NF UK
Telephone 0044 (0)1764 685267 fax 0044 (0)1764 685395
Mobile 0044 (0)7967 726 501
e-mail: wilkiemaryfield@aol.com

NB. A complete set of photographs is available on request.



THIS INFORMATION IS THE TITLE OF JOHN WILKIE PAPER MILL SERVICES LTD AND SHOULD NOT BE COPIED OR FORWARDED TO A THIRD PARTY WITHOUT CONSENT.

FOR YOUR GENERAL INFORMATION WE HAVE TO INTIMATE THE FOLLOWING TO YOU:

This schedule has been prepared solely for the guidance of prospective purchasers and does not constitute (and at no time shall be deemed to constitute) an offer or contract or any part of an offer or contract. Additionally, no warranty is given to the accuracy of any measurements, specifications or other details whatsoever given within this schedule.

Whilst every reasonable effort has been made to verify any statement, description, or comment made within this schedule, for the avoidance of doubt it is emphasised that the purchaser must make their own enquiries and satisfy themselves.